

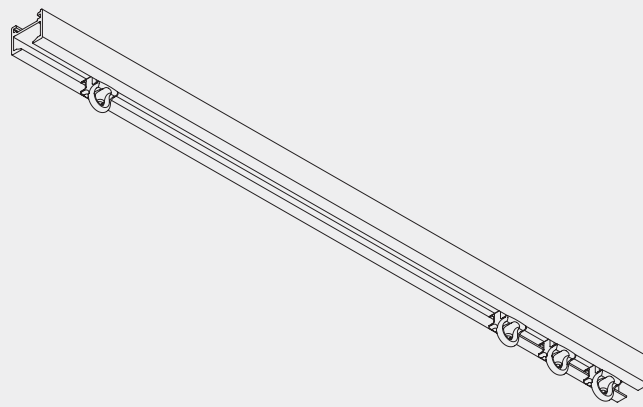
Hand Operated Curtain Track Systems





Hand Operated Curtain Track System

Silent Gliss® 6465



Product Information

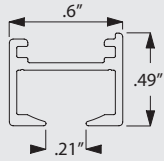
- For light curtains in domestic and contract applications.
- Elegant, thin and bendable profile (Min. radius 3.15").
- Easy fixing with hidden clamp to all kind of ceilings.
- Supplied white powder coated as standard.
- Standard profile length (236.22").
- Systems can be planned to unlimited lengths using a connecting bridge.
- Available with Wave curtain heading system



6465

When splicing on a gradual curve, each side of the track by the splice must have a straight piece of profile of 2" on both Sides (totaling 4" of straight profile)

Profile and Bending Information



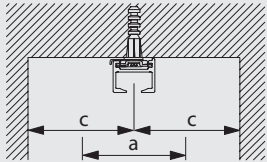
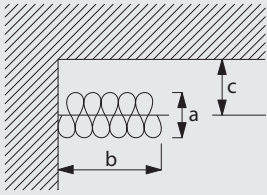
6465



Min. radius 3.15 in.

How To Measure

Wave Stack Depth



a = Stack depth
b = Stack size
c = Min. distance

Glider cord spacing	Curtain hook spacing	Approx. curtain fullness	Stack depth (a)	Stack width (b)	Min distance (c)
2.36"	3.94"	190%	3.94"	23% + endpiece	3.15"
2.36"	4.72"	220%	4.72"	23% + endpiece	3.54"
3.15"	5.51"	200%	5.51"	18% + endpiece	3.94"
3.15"	6.3"	220%	6.3"	18% + endpiece	4.33"

Wave standard with roller gliders

Glider cord spacing	Curtain hook spacing	Approx. curtain fullness	Stack depth (a)	Stack width (b)	Min distance (c)
3.15"	5.51"	200%	5.51"	21% + endpiece	3.94"
3.15"	6.3"	220%	6.3"	21% + endpiece	4.33"

(dimensions in in.)

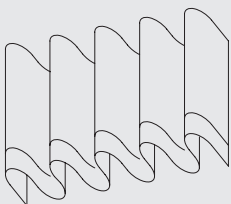


6465

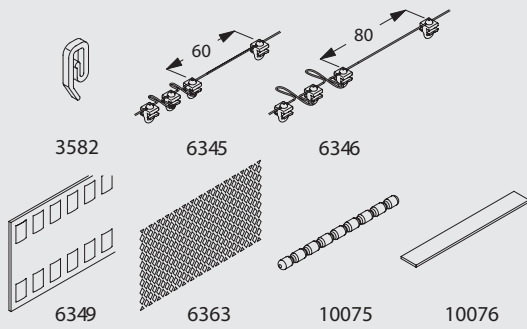
Note: Minimum distance (c) includes a standard 1.18" clearance (front and back).

System Options

Wave curtain heading system



The Wave is an exciting contemporary curtain heading system which allows curtains to hang in a continuous wave which is smooth, simple and elegant.



The Wave standard components are:

- 6345 Glider Cord 60mm (2.36")
- 6346 Glider Cord 80mm (3.15")
- 6007 End stop

The items listed below are all supplied at an additional cost as per the price list.

Optional components to improve the presentation of the curtain:

- 3582 Hook
- 6349 Curtain tape
- 6363 Iron-on top hemming tape
- 10075 Lead weight for hem of curtain 50gr/m (33.60lbs/ft)
- 10076 Fabric weight for side edge of curtain

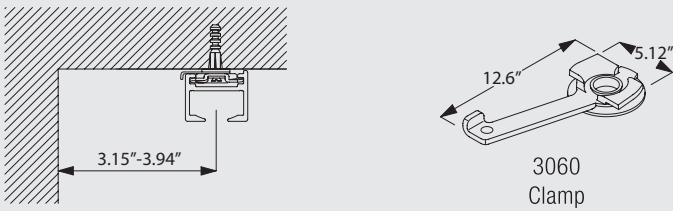
Fitting Information



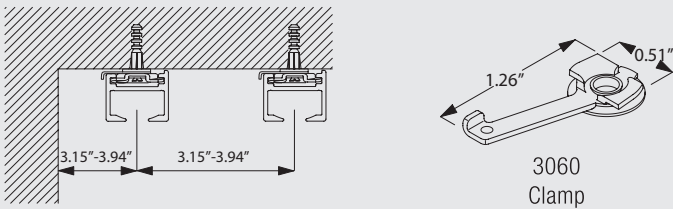
The fixing distances are meant as a guide only: they may vary in practice, depending on surface and curtain weight.

Fitting Options

Ceiling fitting with clamp 3060



Ceiling fitting with two profiles and clamp 3060



6465

Standard Accessories

3060	Clamp		3062	Connecting bridge	
6065	Twist eye endstop		6083	Glider	
6096	Glider 6083 in strip form		6465	Profile	

6471 End cover



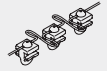
1148C Countersunk screw

Sewing and Wave Accessories

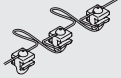
3582 Hook



6345 Wave glider cord (60mm)



6346 Wave glider cord (80mm)



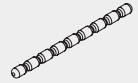
6349 Curtain tape



6363 Top hemming tape



10075 Lead weight 50 gr/m

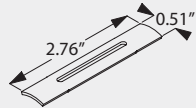


10076 Fabric weight

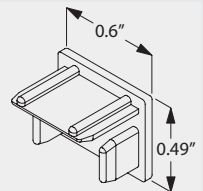


Useful Measures

3062 Connecting bridge



6471 End cover



6465



6465

www.SilentGlissAmerica.com

Silent Gliss Inc
United States Distribution
755 East 134th street
3rd Floor.
Bronx, NY 10454

Correspondence:
P.O. Box 592
New York, Ny 10150

Please call or email
with any questions or for technical catalogs:
info@SilentGlissAmerica.com
Tel: 718-412-9040